

The Spectrum 1771sc-IFE32 is a 32 channel analog input module. When the IFE32 is configured for differential mode it requires 16 twisted pairs to provide maximum shielding from electrical noise. However, the Allen-Bradley 1492 Pre-Wired Cabling system provides a cable with a maximum of 9 twisted pairs. In order to accommodate the Spectrum IFE32 module in differential mode, two **1492-ACABLE-E** cables will be required for each module. If the IFE32 is configured for single-ended mode two **1492-ACABLE-F** cables must be substituted in place of the **1492-ACABLE-E** cables. The table below lists the AIFM and cable requirements for each wiring configuration supported by the Spectrum IFE32 module.

Wiring Config.	AB AIFM Cat. No.	AB Cable Cat. No.
Single Ended	1492-AIFM8-3 (QTY = 2)	1492-ACABLE-F (QTY = 2)
Differential	1492-AIFM8-3 (QTY = 2)	1492-ACABLE-E (QTY = 2)

Refer to *figures 1 & 2* for wiring details.

Note1: The terminal blocks that accompany the 1492 Pre-Wired cables are not used, a single AB 40 terminal wiring arm is all that is required.

Note2: In Differential mode, there will be two twisted pairs that will not be wired to the IFE32 terminal block.

For details on the Allen-Bradley 1492 pre-wired systems, please refer to <http://www.ab.com/industrialcontrols/products/wiring/>

Figure 1 (Single-Ended)

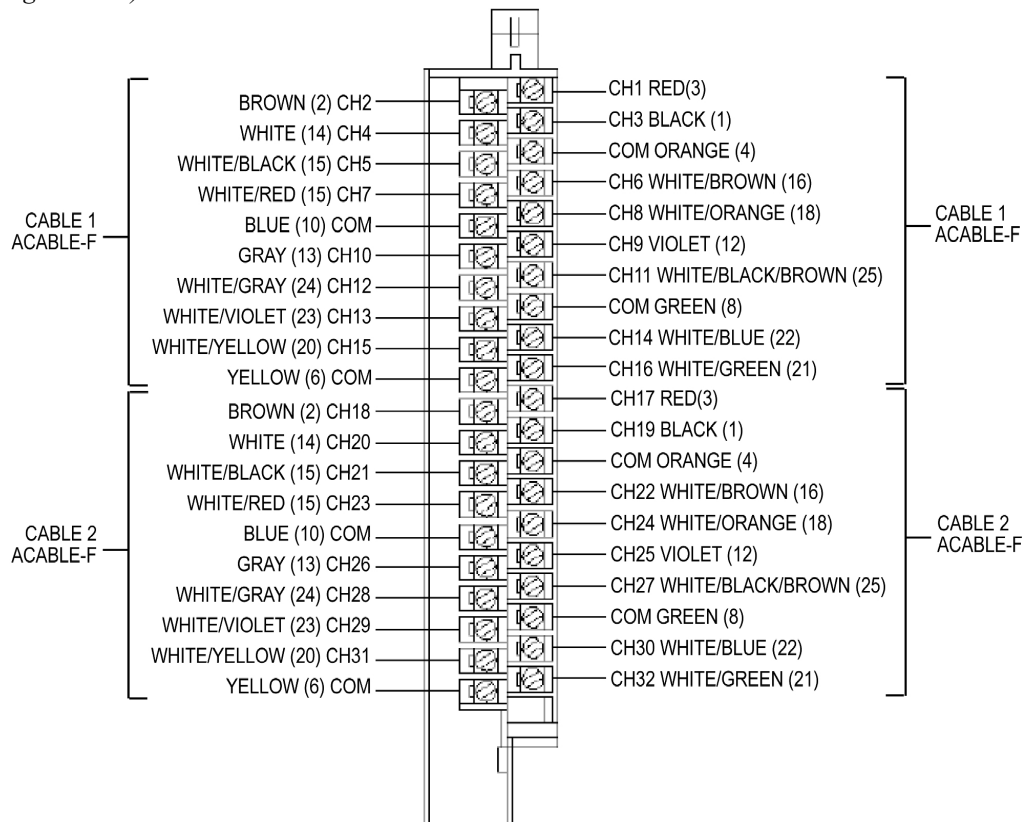


Figure 2(Differential)

